

**UpRight**  
**SB60**

# boom lifts

4WD telescopic

Working heights up to  
20.3m (66ft.) telescopic boom

150° jib arc

16m (52ft. 8ins.) horizontal outreach

4WD, oscillating front axle

Excellent manoeuvrability in  
rough terrain

24° (45%) gradeability

Smooth, user friendly  
proportional controls:  
lifting, telescoping, rotating

Responsive - 65 seconds  
to 18.3m (60ft.) full height

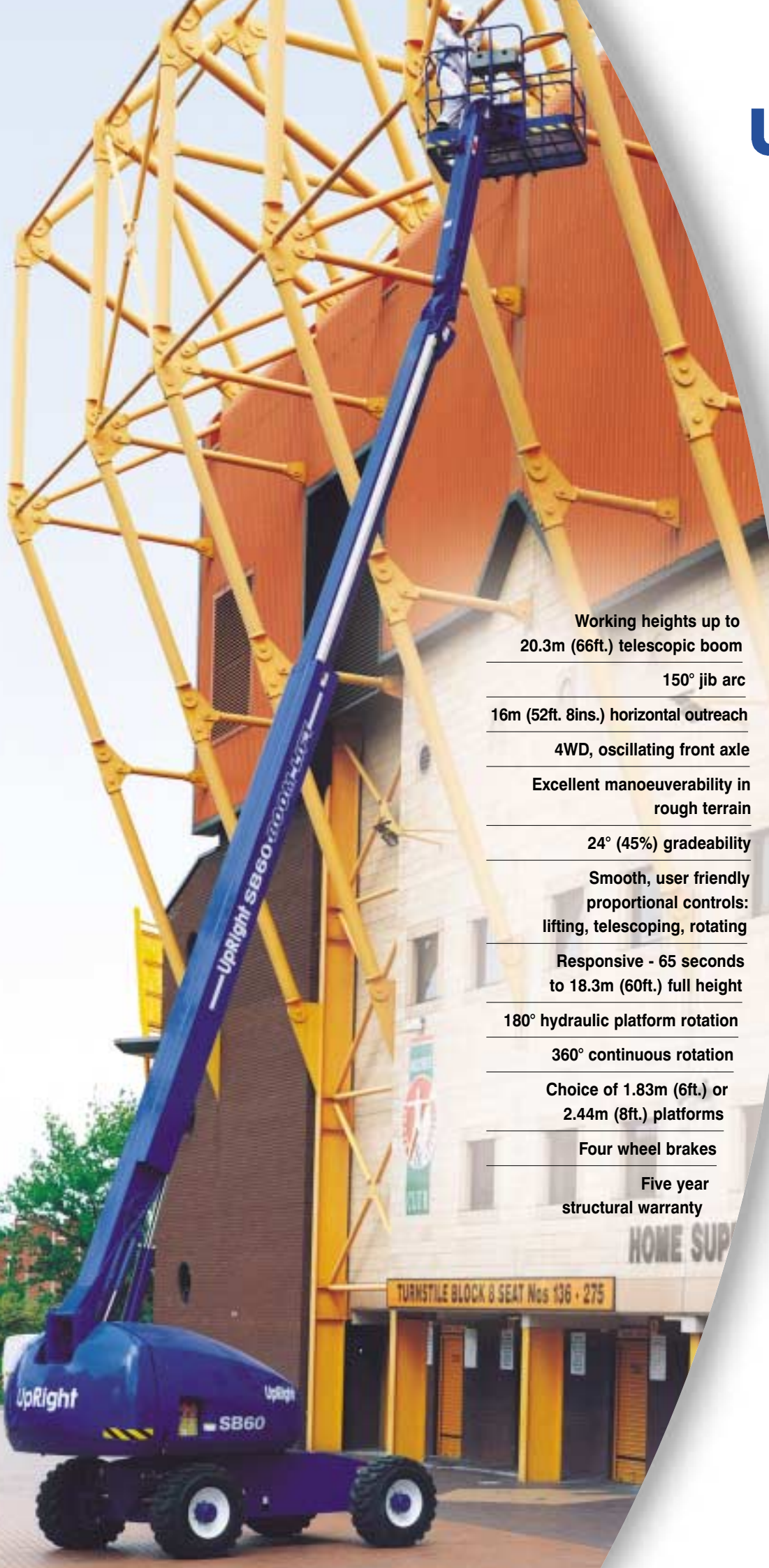
180° hydraulic platform rotation

360° continuous rotation

Choice of 1.83m (6ft.) or  
2.44m (8ft.) platforms

Four wheel brakes

Five year  
structural warranty



**specifications**

	<b>SB60</b> 4WD Diesel
working height	20.3m. (66ft.)*
platform height	18.3m. (60ft.)
horizontal outreach	16m. (52ft. 8ins.)
jib length	2.4m. (8ft.)
jib arc	150°
platform size - 6ft. (D)	1.0m. (39ins.) x 1.83m. (72ins.)
platform capacity (max.)	227kg. (500lbs.)
platform rotation	180°
turret rotation	continuous
stowed height	2.59m. (8ft. 6ins.)
stowed length -operational (A)	11.21m. (36ft. 9ins.)
stowed length -for transport (B)	9.06m. (29ft. 9ins.)
stowed width (C)	2.43m. (7ft. 11.75ins.)
inside turning radius	3.96m. (13ft.)
outside turning radius	6.75m. (22ft. 2ins.)
tailswing - stowed	1.3m. (53ins.)
drive speed - boom stowed	6.4km/h. (4mph.)
drive speed - boom elevated	1.2kmh. (0.7mph.)
gradeability - 4WD	24° (45%)
engine	perkins 704-30
tyres	poly-filled
ground clearance	0.29m (11.5ins.)
toeboards	152mm. (6ins.)
guardrail height	1.14m. (45ins.)
gross weight	10,750kg. (23,700lbs.)
cycle time to full height	65 secs.

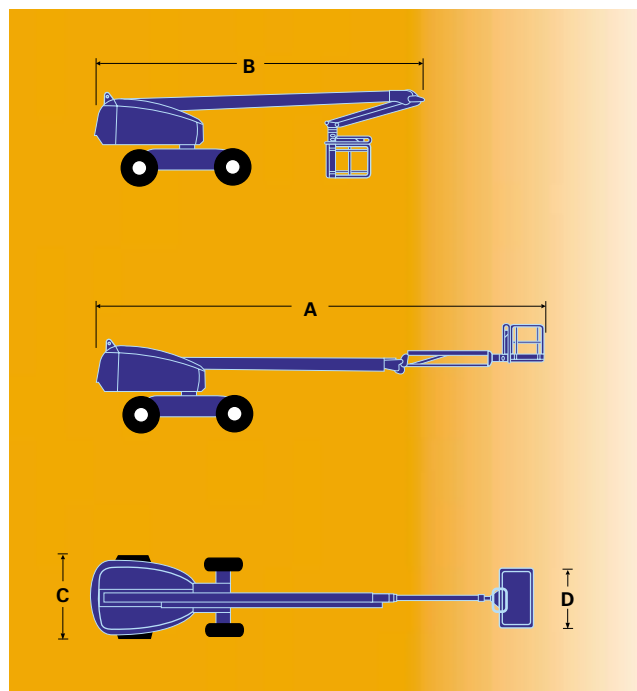
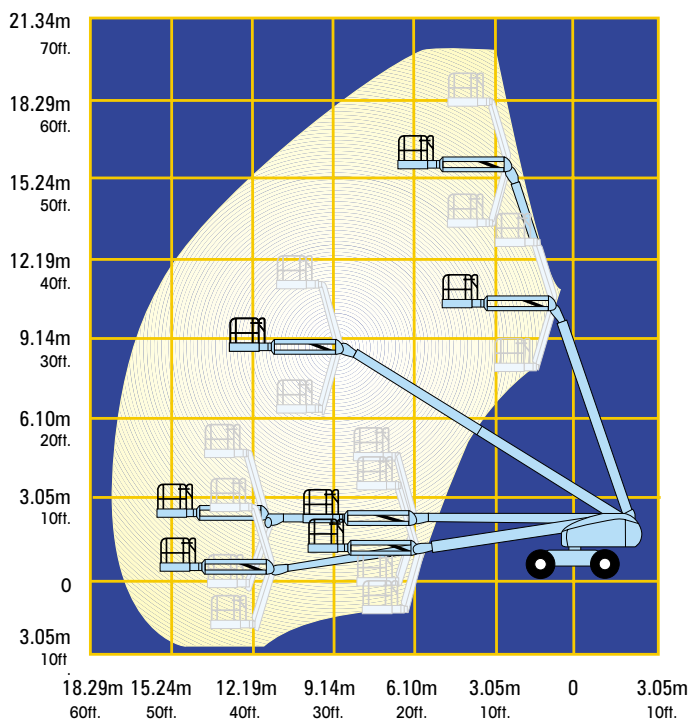
\*Metric working height is 2m above platform height. Working height in the U.S. is 6 ft. above platform height.  
 Specifications subject to change without notice. Photos and diagrams in this brochure are for promotional purposes only.  
 Refer to appropriate UpRight Operators manual for detailed instructions on the proper use and maintenance of this equipment.

**standard features**

- 4WD oscillating front axle
- Proportional controls - lift, swing, telescope
- Power to platform
- Hour meter
- Horn
- 1year parts/service
- 5 year structural warranty

**options**

- All motion alarm
- Flashing amber beacon
- Optional 2.4m. (8ft.) platform
- Special paint colours
- Environmental green oil



Meets or exceeds applicable requirements of OSHA and ANSI A92.5 - 1992.  
 CE This product is available with the CE mark confirming compliance with all relevant European Machinery Directives

manufactured by  
**UpRight**



www.upright.com  
 e-mail: marketing@upright.com

**GLOBAL PROVIDER OF ACCESS SOLUTIONS**

MANUFACTURING	SALES			
North America Tel +1 (559) 662 3900 Fax +1 (559) 673 6184	USA / The Americas Tel +1 (559) 662 3900 Fax +1 (559) 673 6184	France Tel + 33 130 37 05 44 Fax + 33 130 37 63 68	Singapore Tel + 65 6324 1322 Fax + 65 6225 5157	P. R. China Tel + 86 21 63390190 Fax + 86 21 63390191
Europe Tel + 353 1 620 9300 Fax + 353 1 620 9301	Europe/Africa/M. East Tel + 44 (0) 1952 685 200 Fax + 44 (0) 1952 685 255	Germany Tel + 49 211 1674316 Fax + 49 211 1674317	Australia Tel + 61 2 9748 6200 Fax + 61 2 9748 6255	Japan Tel + 81 3 5765 6841 Fax + 81 3 5765 6840

